





- 
- 
- 
- 
- 
- 

- 

- 
- 
- 
- 
- 

- 

- 
- 
- 
- 
- 
- 
- 
- 


- 

- 

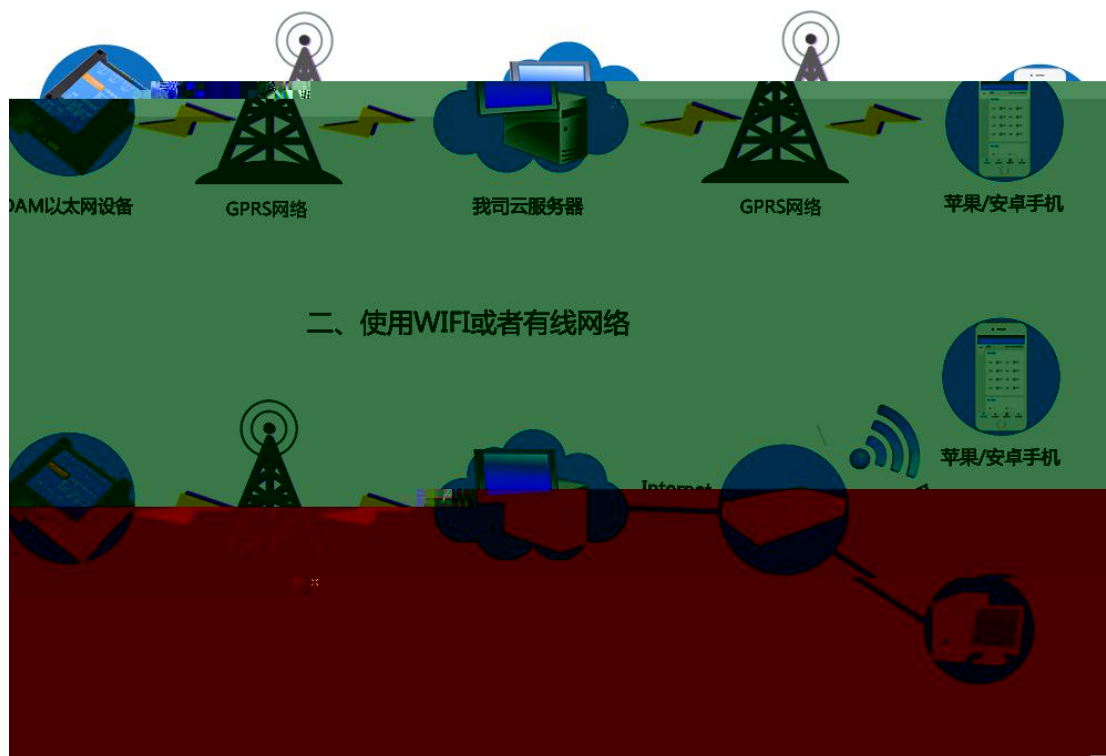
- 
- 
- 
- 
- 
- 
- 
- 


	GSM 网络 (移动、联通)

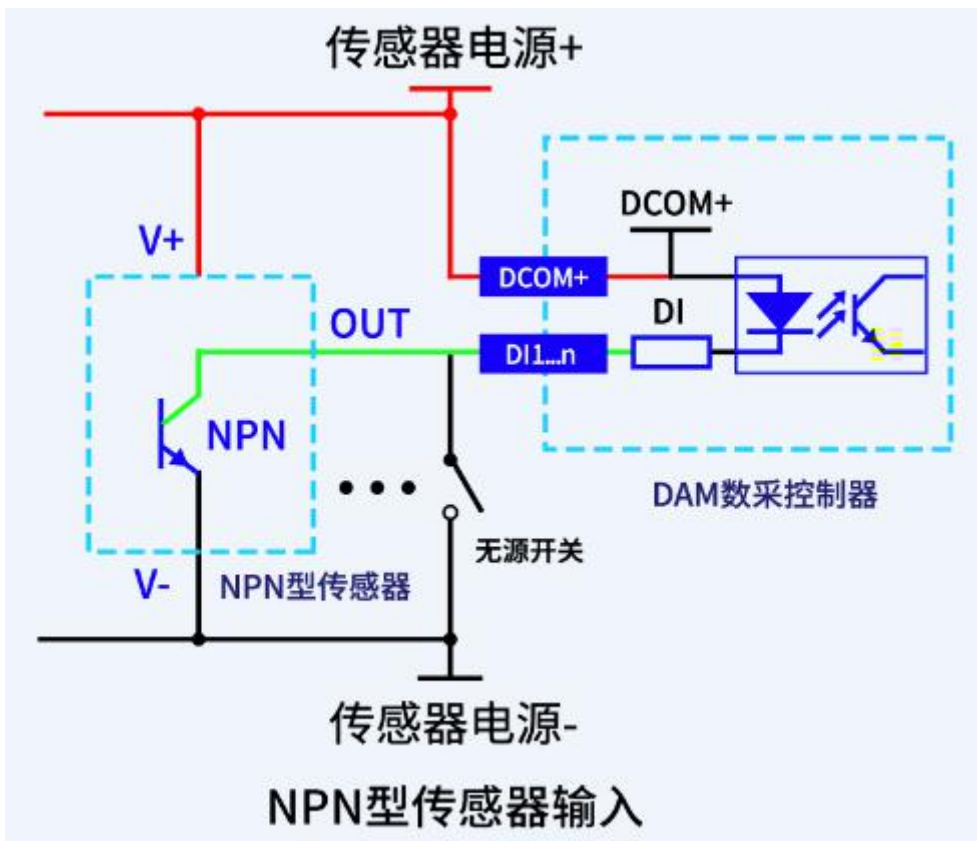


# 1

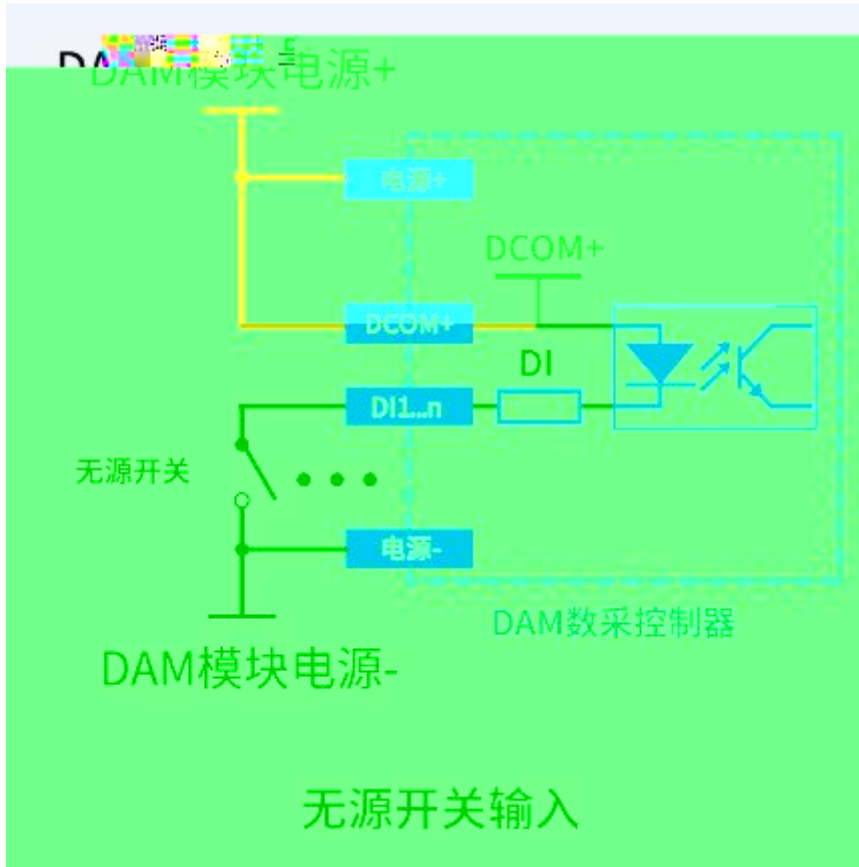
## 一、使用移动网络



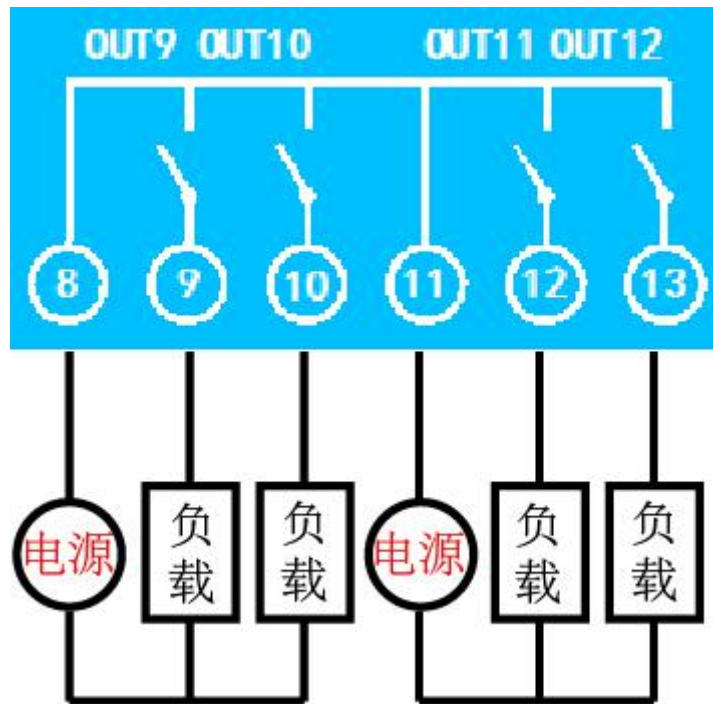
1

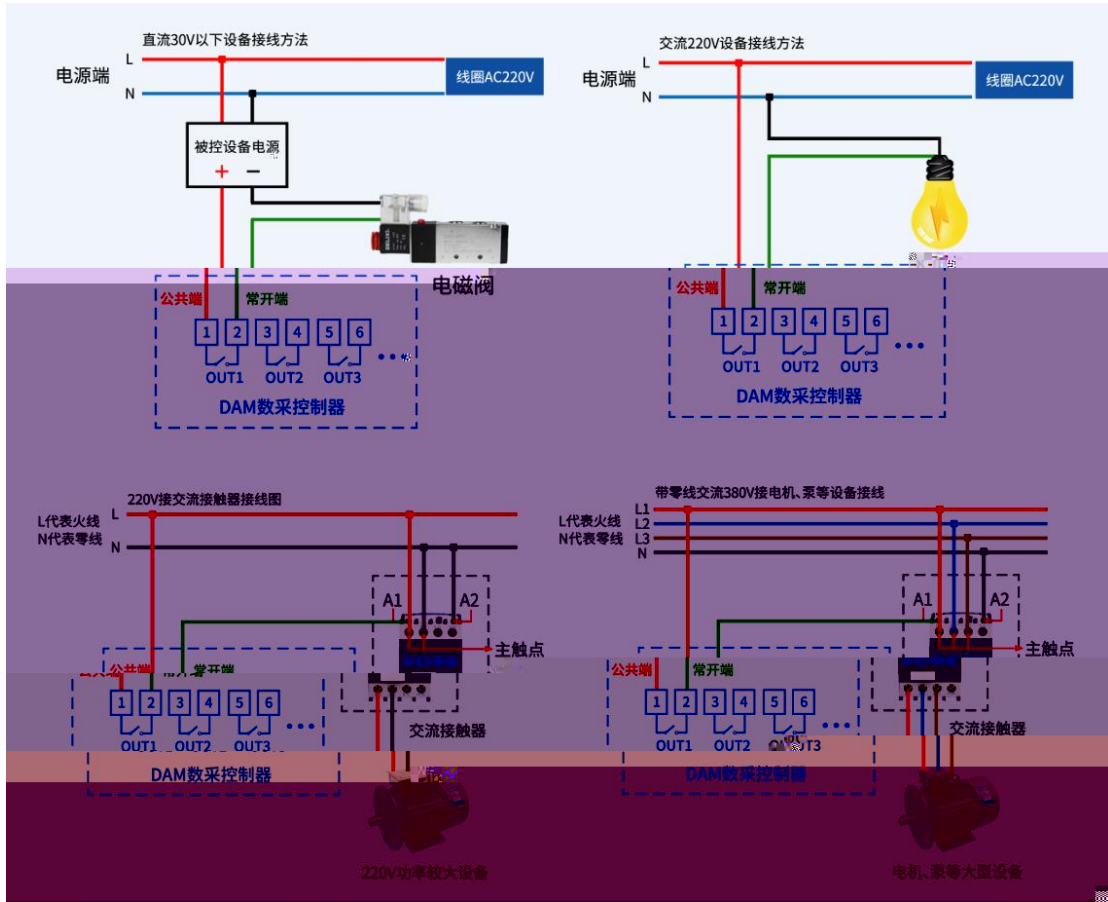


2

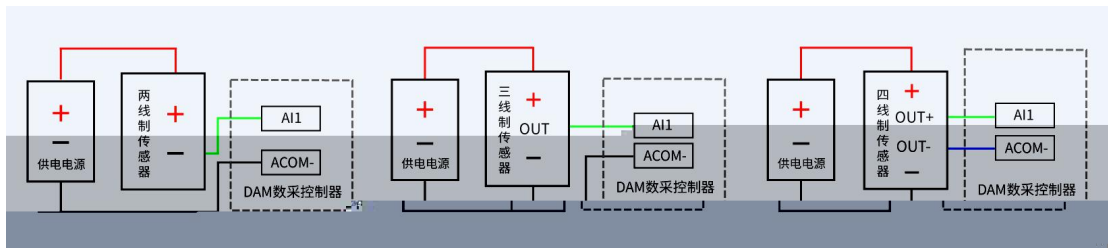


3





4



1



## ID

1



---

1

---

## 2 Modbus

Modbus			

---



3

【DAM0888】：【继电器 8】【光耦 8】【模拟量 8】  
    调试信息

清空

```
发送:FE 02 00 00 00 08 6D C3  
接收:FE 02 01 00 91 9C  
读取AI  
发送:FE 04 00 00 00 08 E5 C3  
接收:FE 04 10 00 00 00 00 00 00 00 00 00 00  
0 00 00 00 00 00 00 71 2C  
读取DI  
发送:FE 02 00 00 00 08 6D C3  
接收:FE 02 01 00 91 9C  
读取AI  
发送:FE 04 00 00 00 08 E5 C3  
接收:FE 04 10 00 00 00 00 00 00 00 00 00 00  
0 00 00 00 00 00 00 71 2C  
读取DI  
发送:FE 02 00 00 00 08 6D C3  
接收:FE 02 01 00 91 9C  
读取AI  
发送:FE 04 00 00 00 08 E5 C3  
接收:FE 04 10 00 00 00 00 00 00 00 00 00 00  
0 00 00 00 00 00 00 71 2C  
读取DI  
发送:FE 02 00 00 00 08 6D C3  
接收:FE 02 01 00 91 9C  
读取AI  
发送:FE 04 00 00 00 08 E5 C3  
接收:FE 04 10 00 00 00 00 00 00 00 00 00 00  
0 00 00 00 00 00 00 71 2C
```

4







### 5.3







### 5.4

---

## 5.5

## 5.6







---

---

---

