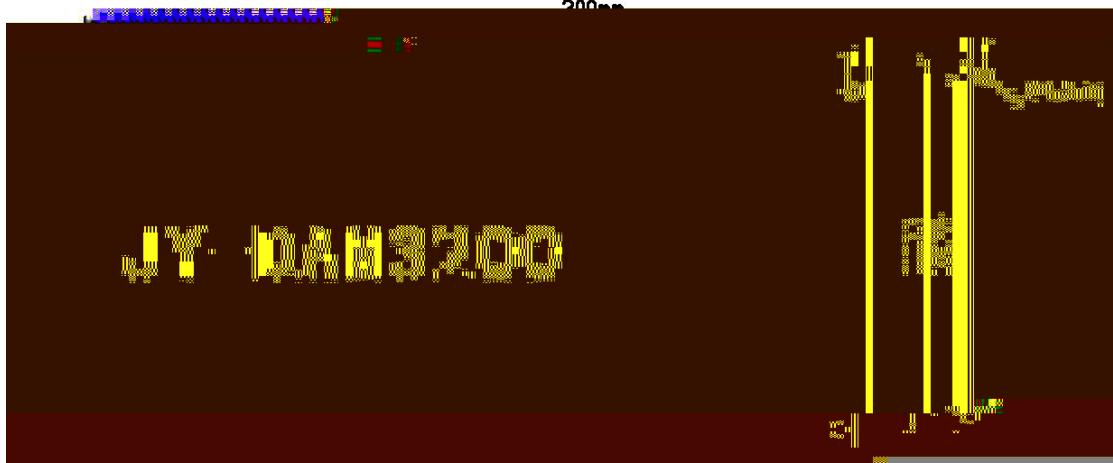


DAMB232 WFI

V1.0



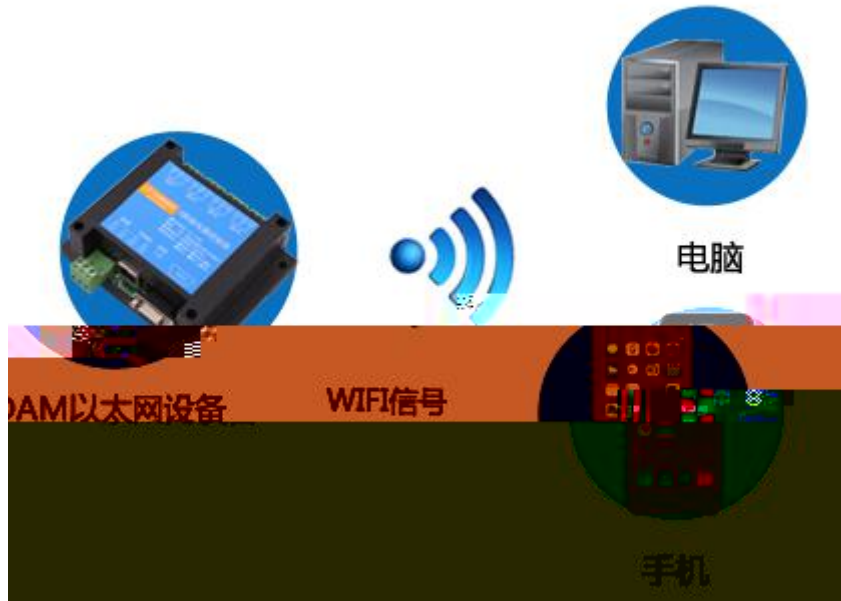
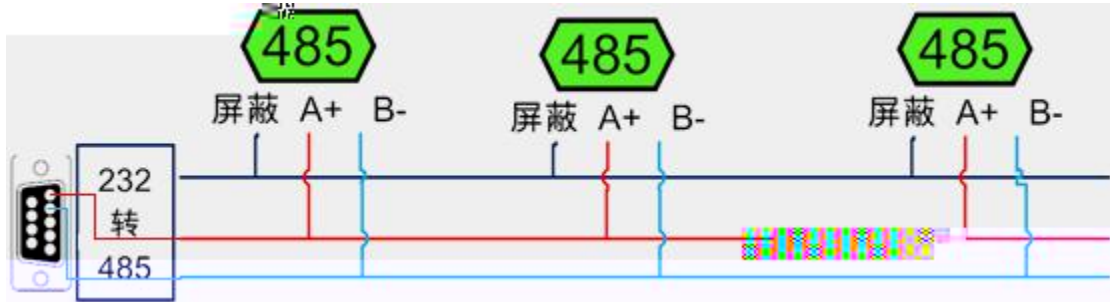
	21-28	I N17-I N24	17 -- 24	
	29	COM	17 -- 24	
	30-37	I N25-I N32	25 -- 32	
	38	COM	25 -- 32	
AI	16	21-28	I N17-I N24	1 -- 8
		29	COM	1 -- 8
		30-37	I N25-I N32	9 -- 16
		38	COM	9 -- 16
DO	44-47	Out1-Out 4	1 -- 4	
	48	COM	1 -- 4	
	49-52	Out5-Out 8	5 -- 8	
	53	COM	5 -- 8	
	54-57	Out9-Out 12	9 -- 12	
	58	COM	9 -- 12	
	59-62	Out13-Out 16	13 -- 16	
	63	COM	13 -- 16	
	64-67	Out17-Out 20	17 -- 20	
	68	COM	17 -- 20	
	69-72	Out21-Out 24	21 -- 24	
	73	COM	21 -- 24	
	74-76	Out25-Out 27	25 -- 27	
	77	COM	25 -- 27	
	78-80	Out28-Out 30	28 -- 30	
	81	COM	28 -- 30	
	82	Out 31	31	
	83		31	
	84	Out 32	32	
	85		32	
	86	AO1	1	
	87	GND	1	
	88	AO2	2	
	89	GND	2	



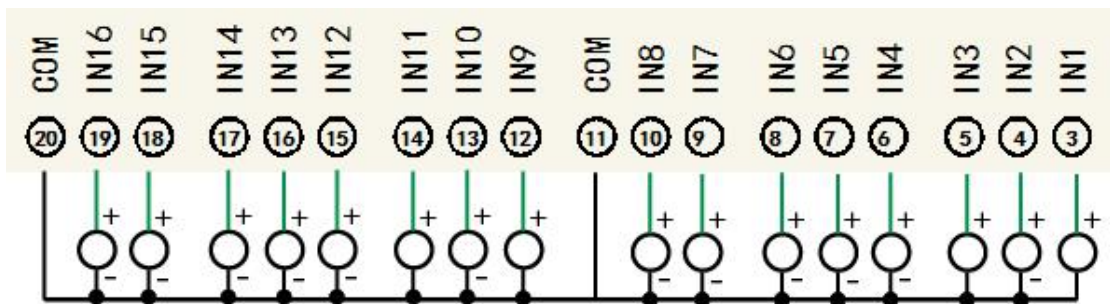


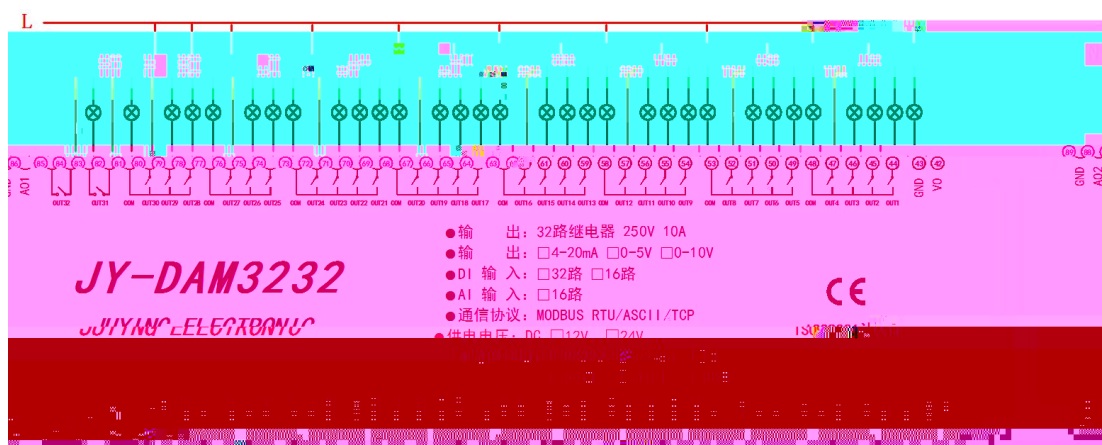
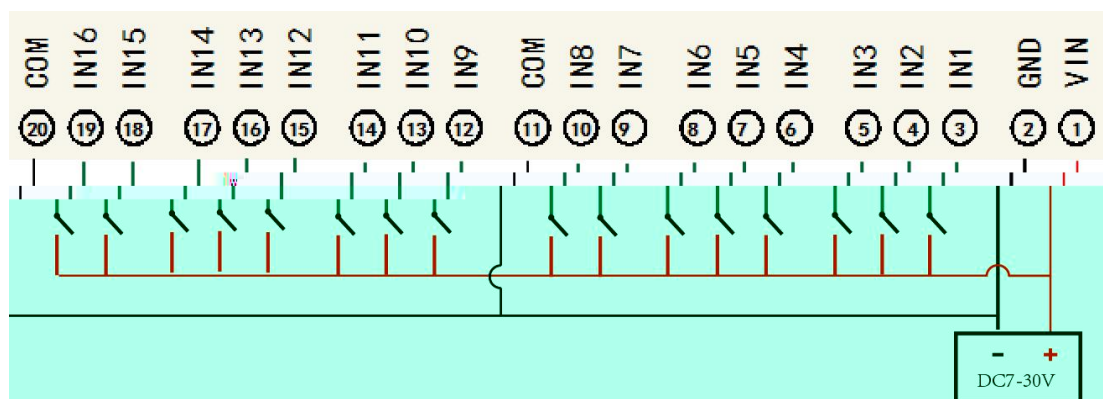
 DB9母头定义

引脚顺序	引脚作用+名称	
1	数据载波检测	DCD
2	数据发射	TXD
3	数据接收	RXD
4	数据设备准备	DSR
5	地	GND
6	数据终端准备	DTR
7	清除发送	CTS
8	请求发送	RTS
9	振铃指示	RI

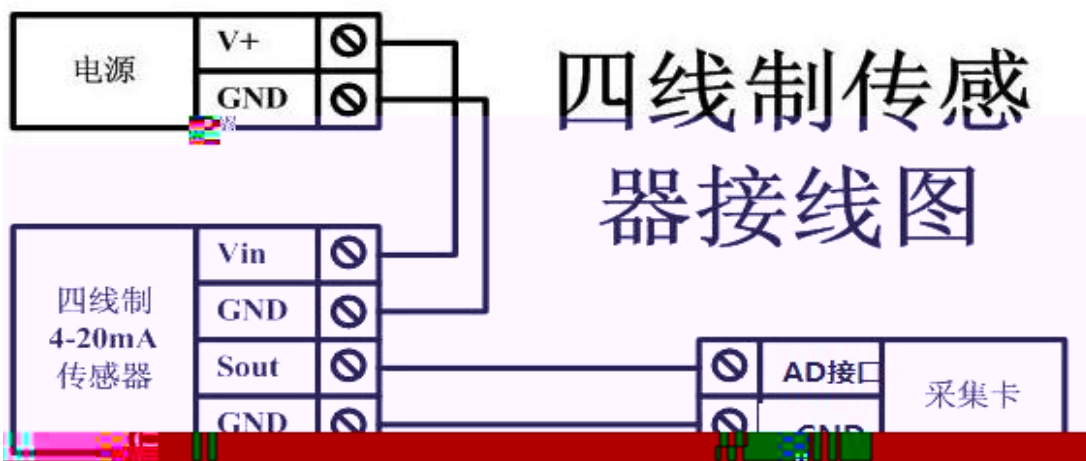
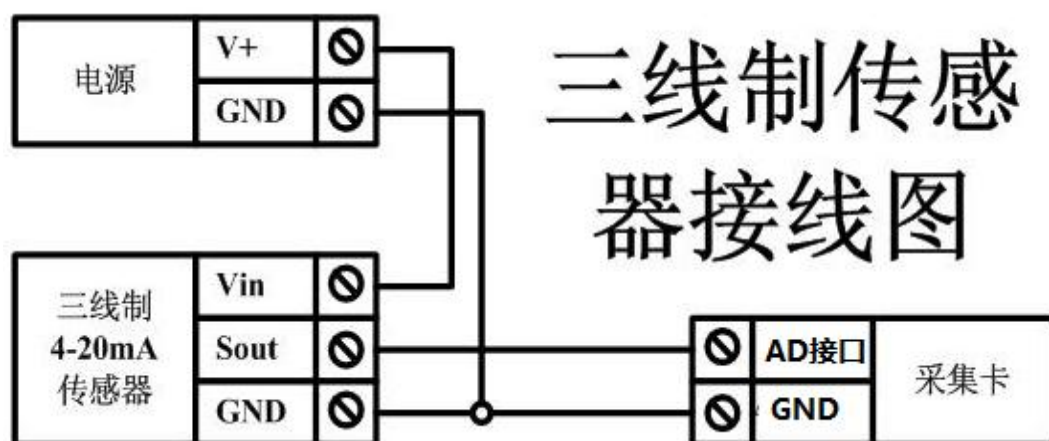
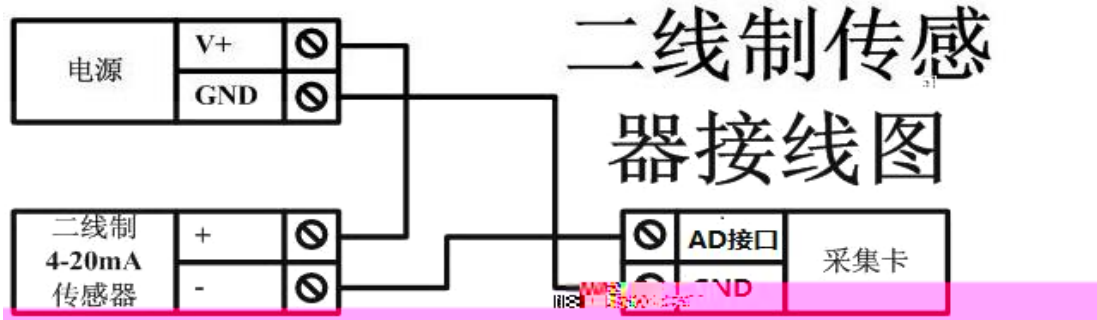


一、使用移动网络





$$= AI * 0.001$$





[Redacted]

[Redacted]

[Redacted]

[Redacted]

[Redacted]

[Redacted]

[Redacted]

[Redacted]

[Redacted]

[Redacted]

[Redacted]

[Redacted]

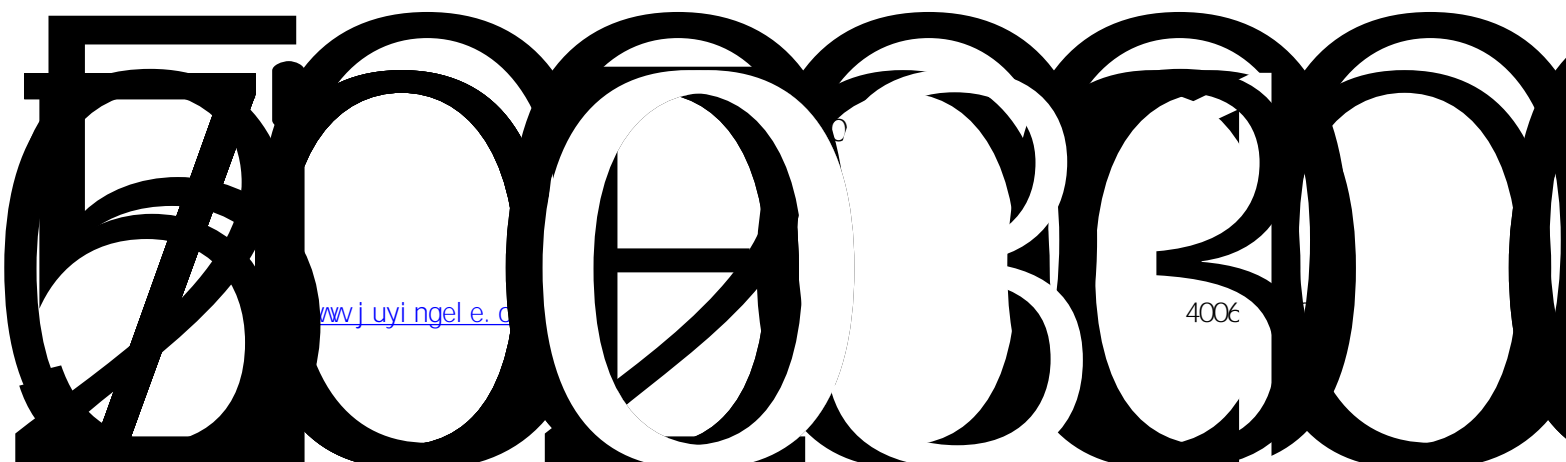
1

32

--	--	--

FE 10 00 03 00 02 04 00 04 00 0A 00 D8
 FE 10 00 03 00 02 04 00 02 00 14 21 62

FE 10 00 03 00 02 A5 C7



FF FF FF FF 16 2 1
0 11111111 11111111 11111111 11111111 00000000
00000000 00000000 00000000 8

400-2000, 0-10V 0-1000 = *100 4-20ma
4ma 400

JYDAM

<https://www.juyingelectronics.com.cn/software/software/JYDAM%E8%B0%B3%E8%AF%95%E8%BD%AF%E4%BB%B6.rar>

<https://www.juyingelectronics.com.cn/software/jynet/%E4%BB%A5%E5%A4%AA%E7%BD%91%E9%85%8D%E7%BD%AE%E8%BD%AF%E4%BB%B6.rar>

()



JYDAM



