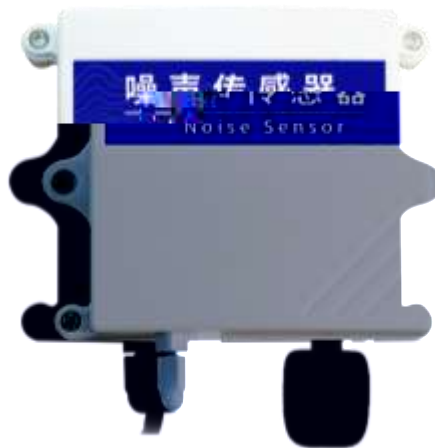




V1.0



2022 5



---

	.....	1
1.1	.....	1
1.2	.....	1
	.....	1
	.....	3
3.1	.....	3
3.2	.....	3
3.3	.....	3
3.4	.....	4
3.5	.....	5
	.....	6
4.1	PLC .....	6
4.2	.....	6
4.3	.....	7
	.....	7



## 1.1

30dB~130dB

## 1.2

;

7~30V DC

	7~30V DC
	0.4W
	-40 ~+85 0%RH~95%RH
	RS485 4~20mA 0~10V Wi Fi 4G lora
	485
	0.1dB



	30dB~130dB
	20Hz~12.5kHz
	1s
	2%
	$\pm 0.5$ dB      94dB@1kHz
	9600, n, 8, 1
	1200, 2400, 4800, 9600, 19200, 38400 57600    115200
	PLC Labview



### 3.1

1  
2                      2

USB    485

485

### 3.2

7~30V

485

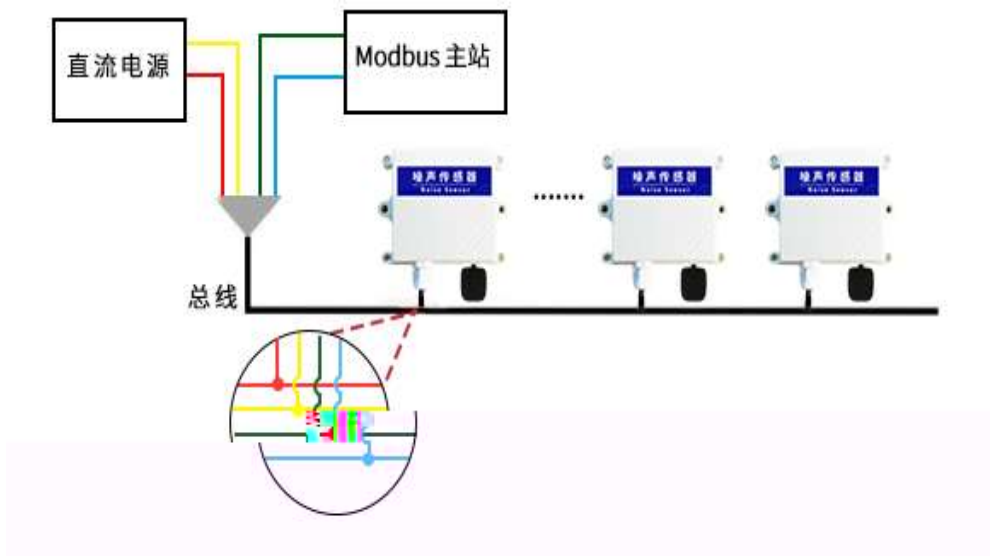
A/B

### 3.3




### 3.4

485





## 3.5

### 3.5.1



### 3.5.2





### 3.5.3

①

②

③

## 4.1

## PLC

- 1) COM
- 2) 1
- 3)
- 4) 200ms
- 5) 485 A B
- 6) 485
- 120
- 7) USB 485
- 8)

## 4.2





## 4.3

7V

400-6688-400 010-82899821 82899827

QQ 3323725294 3126337546 2984784459

