



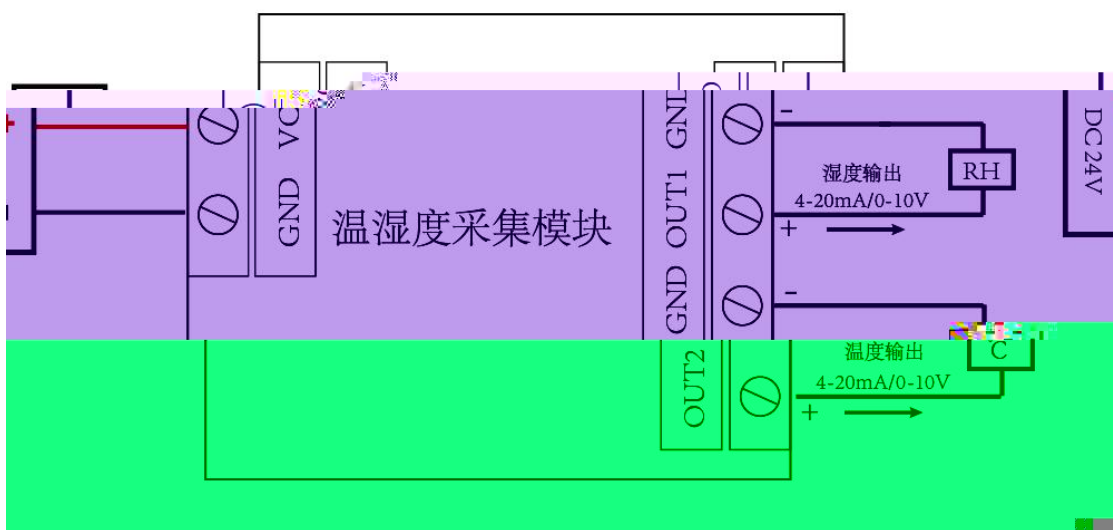
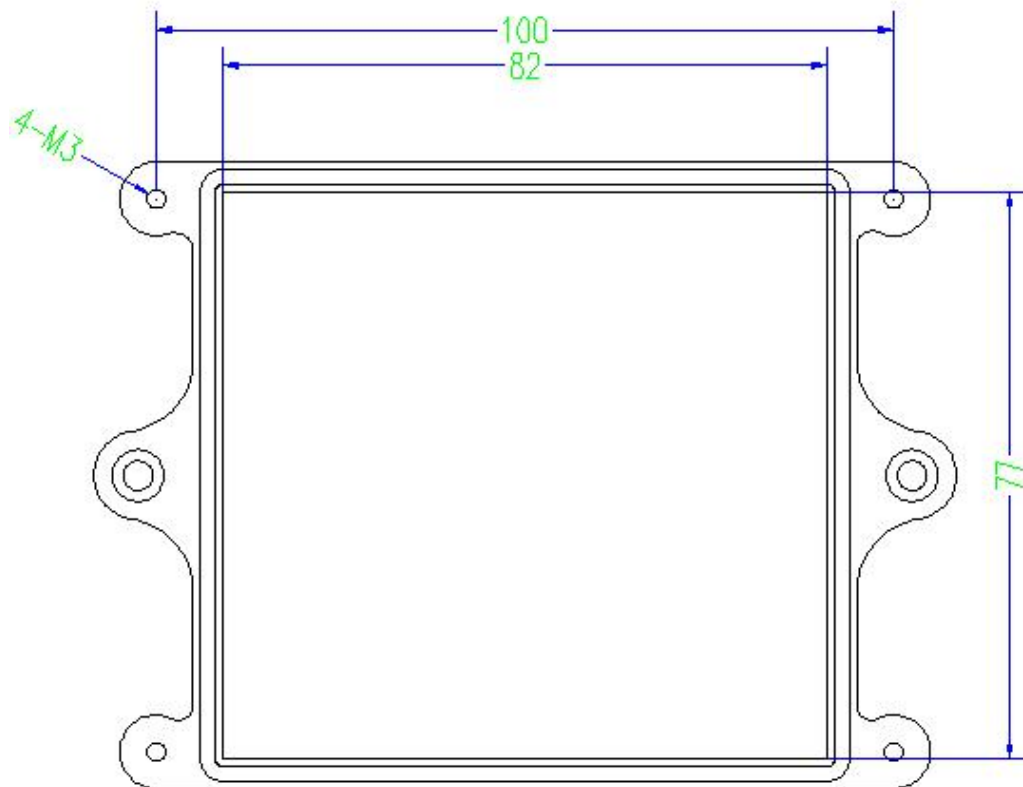
-
-
-

-

S2-A-E	LED	4-20 A/0-10V
--------	-----	--------------

	DC 24V
	-40 120
	0-100%RH
	0.3
	2.0%RH
	LED
	105*85*41
	330
	IP67

1	VCC	
2	GND	
3	OUT1	
4	GND	
5	OUT2	
6	GND	



J DAM

<https://www.juyingele.com/download/JYDAMSsoftware.zip>

<https://www.juyingele.com/download/JYNetConfig.zip> ()



J DAM



