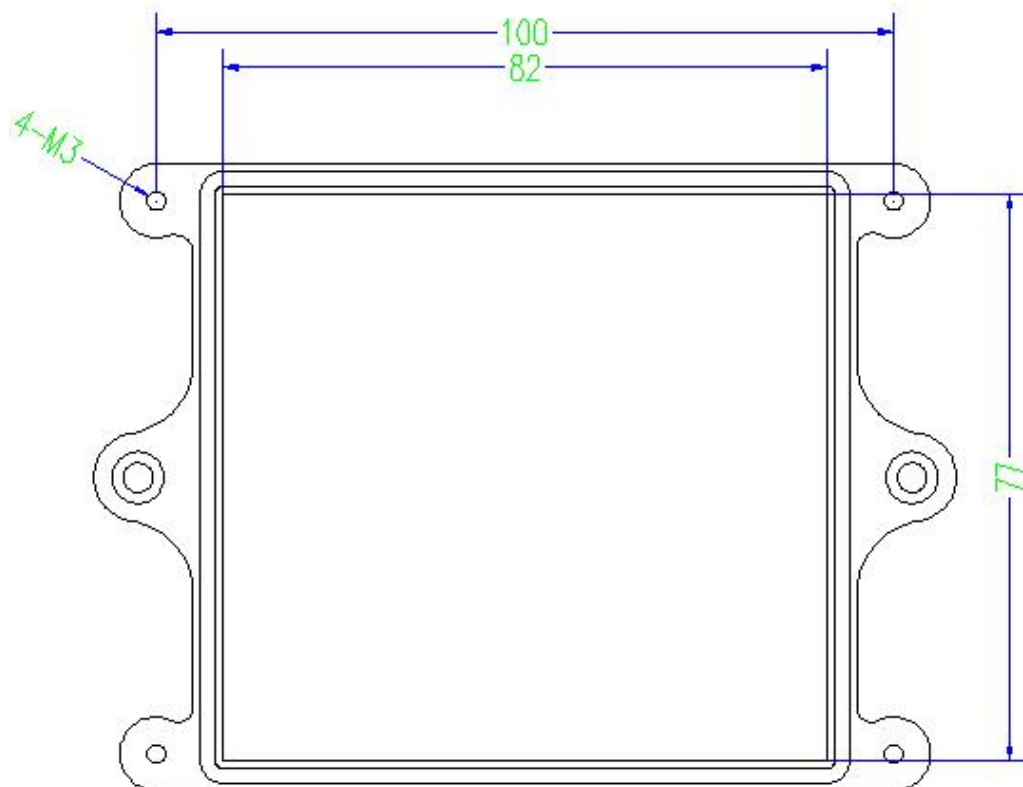




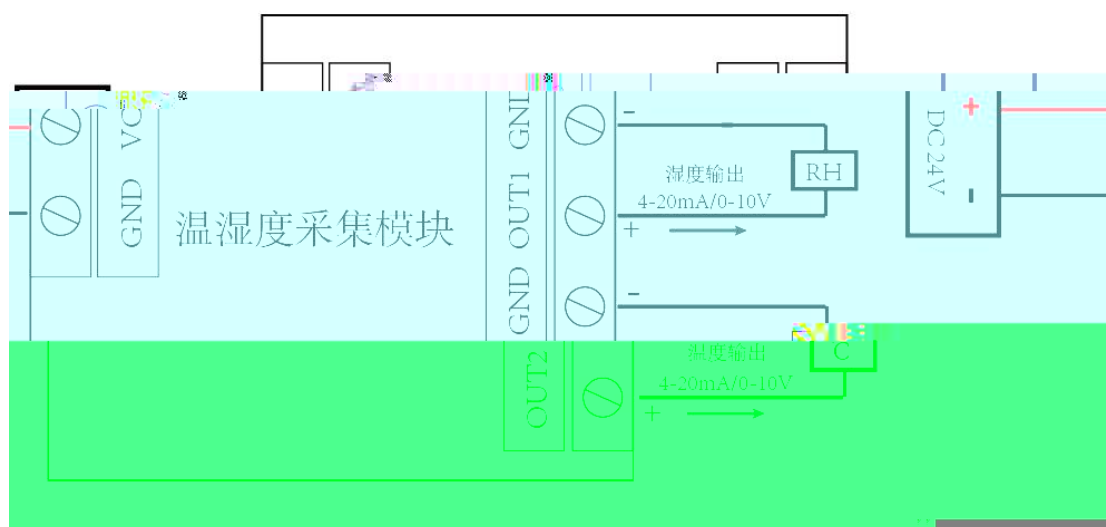
.....	1
.....	1
.....	1
.....	1
.....	1
.....	1
.....	2
.....	2

- DC24V
- LCD
- 2 4-20mA/0-10V 12 AD

-



RH



400-6688-400

<https://www.juyingelec.com/download/>

