





- 
- 
- 
- 
- 
- 

- 
- 
- 
- 
- 
- 

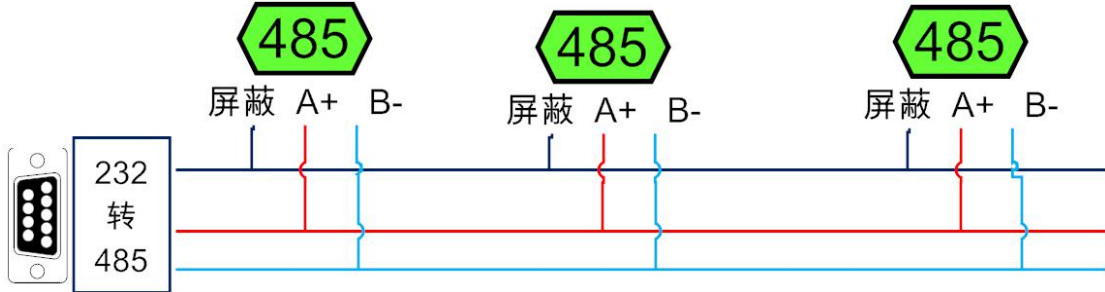

○

- 
- 
- 
- 
- 
- 
- 
- 



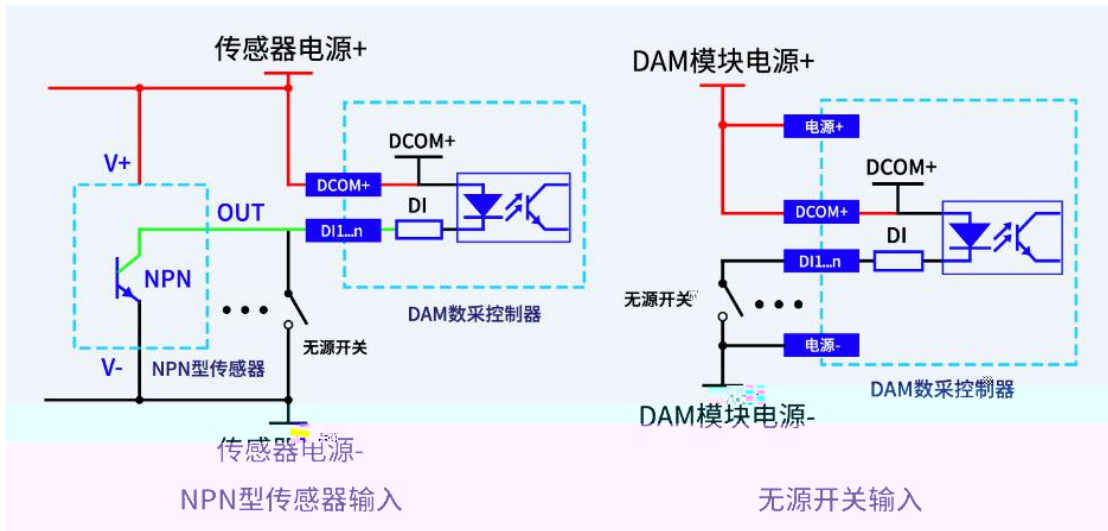



## 1 R 485

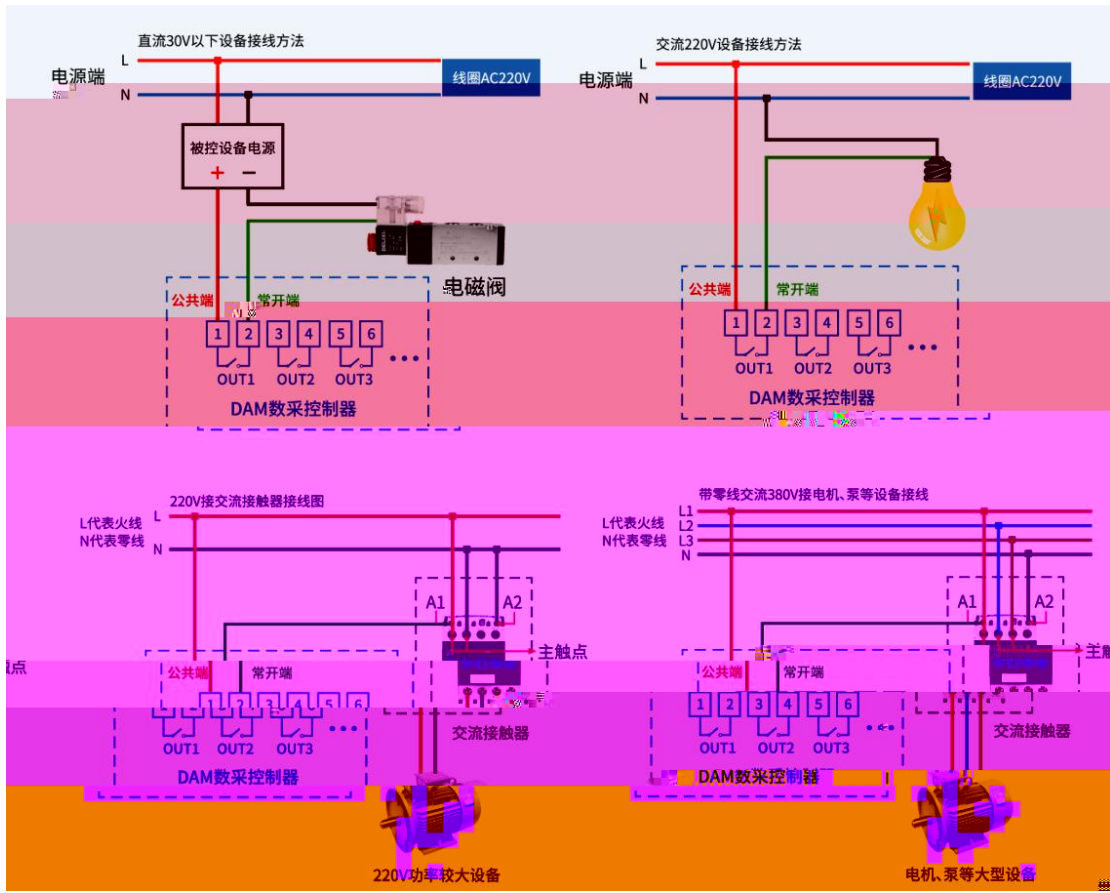


## 2 R 232

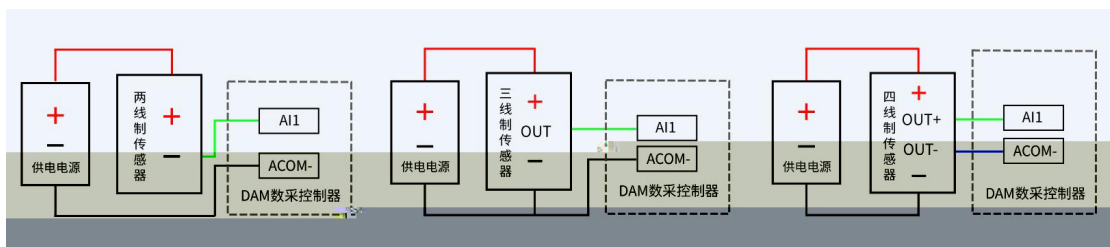
1



2



**3**



**1**

**2**



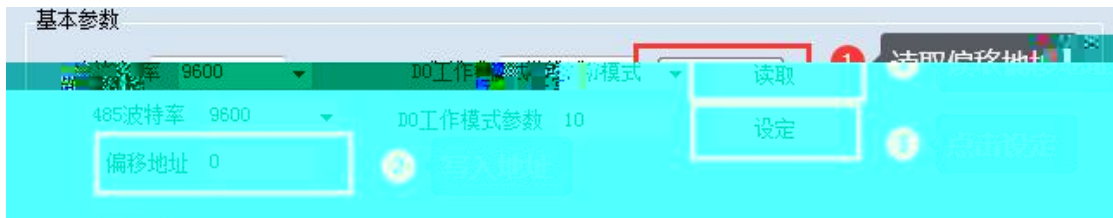
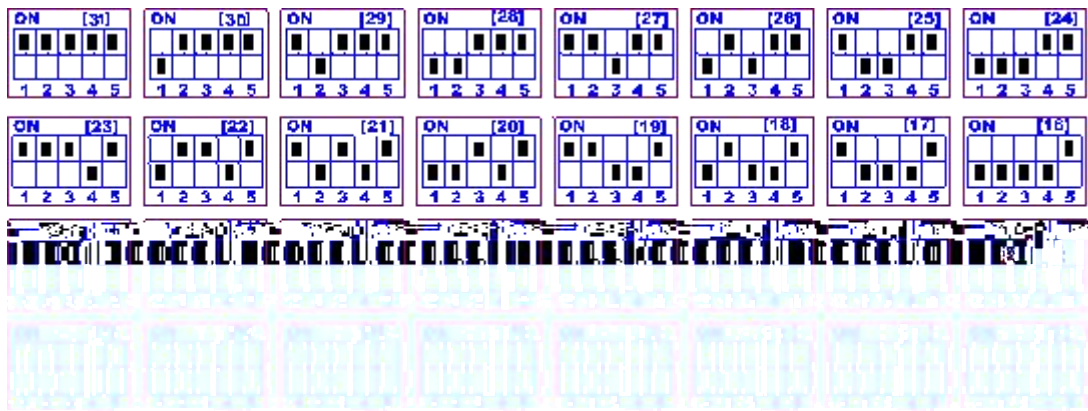
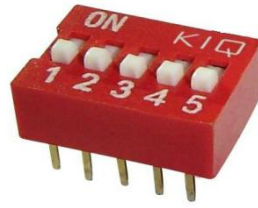


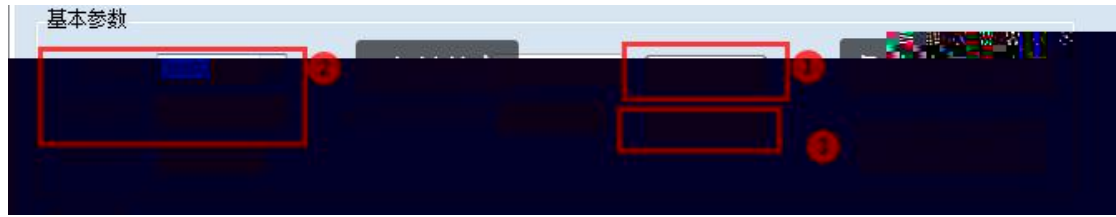


The screenshot displays the DAM simulation software interface. At the top, the baud rate is set to 9600. The main area is divided into several sections:

- 模拟量输入 (Analog Input):** A table with columns for channel number and value. Channel 1 is set to 570. Other channels (2-10) are set to 0.
- 模拟量输出 (Analog Output):** A section with a dropdown menu for '设备型号' (Device Model) set to 'DAM12884' and a '选择产品' (Select Product) button.
- 接收区域 (Receive Area):** A log window showing hexadecimal data received from the device, such as [11:16:51.563]收←01 80 28 00 01 00 4A FF 00 00 00 4A 59 37 34 31 70 85 72 57 78 35 35 57 08 08 48 00 00 00 00 00 00 00 0F 34 01 00 E7 32 F7 00 00 00 00 00 00 00 00 00 00 E3 00 00 00 00 00 00 00 00 00 08 F1 00 00 00 00 00 00 FF 78.
- 发送区域 (Send Area):** A section for sending data, including checkboxes for '自动保存' (Auto Save), 'HEX', and '显示发送' (Show Send), and a '发送' (Send) button.

Red annotations with numbers 1, 2, and 3 highlight specific UI elements: 1 points to the '选择模拟量输出' button, 2 points to the '选择产品' button, and 3 points to the '设定' (Set) buttons for the channels.












5







*FE 01 00 00 00 08 29 C3*



# XLECS




*FE 02 00 00 00 08 6D C3*

<i>6D C3</i>		



FE 04 10 00 00 00 00 00 00 00 00 00 00 00 00 00 00 00 00 00 00 71 2C

--	--	--





