



NC NC NC NC NC NC NC NC NC NC

DAM0800AI-YD

● POWER/DATA

供电电压	DC 7-30V
输入	8路 <input type="checkbox"/> 4-20mA <input type="checkbox"/> 0-10V
通信协议	Modbus RTU&ASCII
通讯接口	<input type="checkbox"/> RS232 <input type="checkbox"/> RS485

NC NC NC NC NC NC NC NC

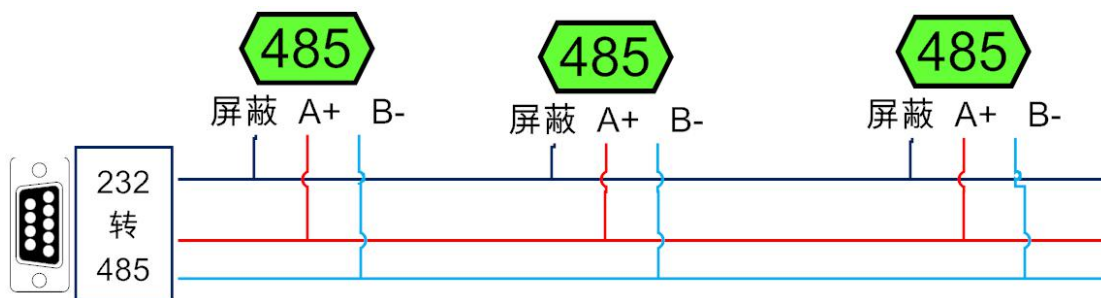
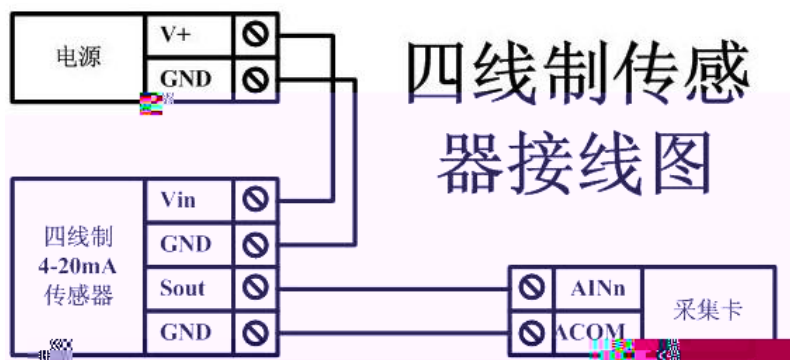
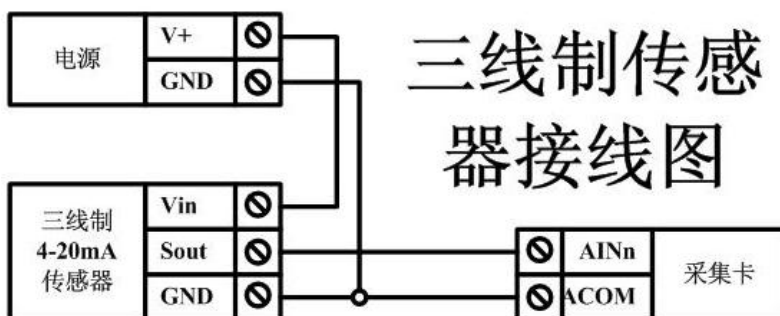
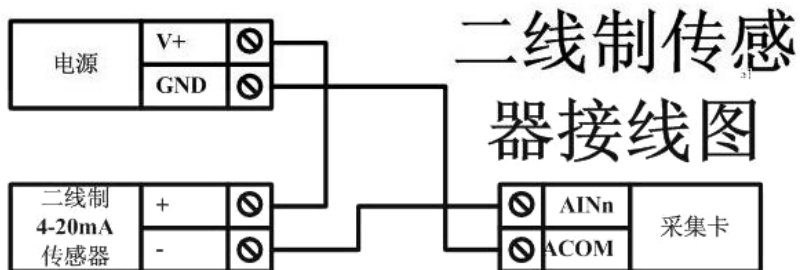
AI

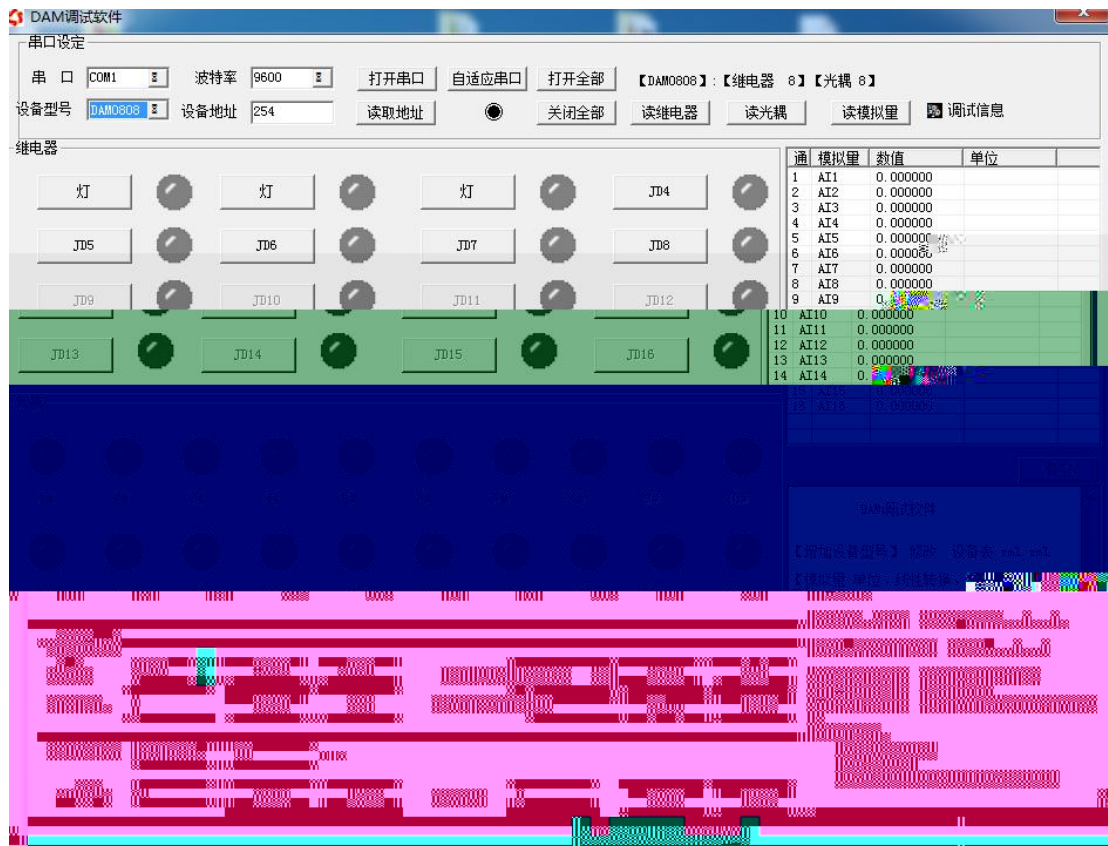
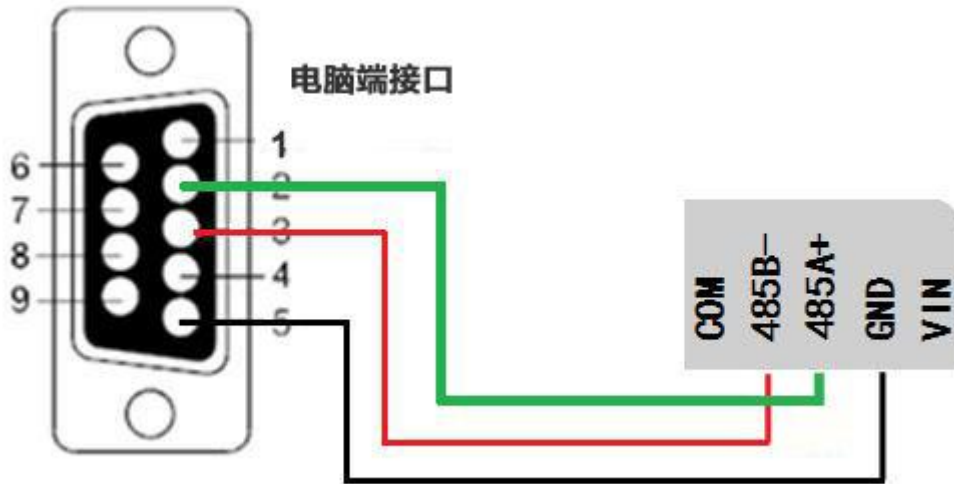
● ● ● ● ● ● ● ●

● ● ● ● ● ● ● ●

01 02 03 04 05 06 07 08

AI_1 AI_2 AI_3 AI_4 AI_5 AI_6 AI_7 AI_8 COM RX/B- TX/A+ GND VIN





-
-

-
-
-



A

3

$$A = \quad *0.001$$

