



DAM0222



2015 03



	1
	1
	1
	1
	2
	2
1 RS232	2
2 RS485	3
	3
1	3
2	4
3	4
	5
1	5
2	5
3	6
4	6
	7
1	7
2	8
	8
1	8
2 Modbus	9
3	10
4	11
5	12
	15
	15



- DC5V/7-30V
-
- RS485 RS232(1)
- 2400,4800,9600,19200,38400
- 9600
- modbus RTU
- 0-255 5 1-31
- 31
-
-
-
-
-
-
-

	modbus	RS232	RS485	USB	Wi Fi		DI	AI
DAM0222-RS232/485						2	2	2

	10A/30VDC 10A/250VAC
	10
	RS485/RS232
	DC5V/7-30V
	1 LED
	2 LED
	-40 85
	97*50*32mm
	330g
	9600, n, 8, 1
	2400,4800,9600,19200,38400
	Labvi ewd

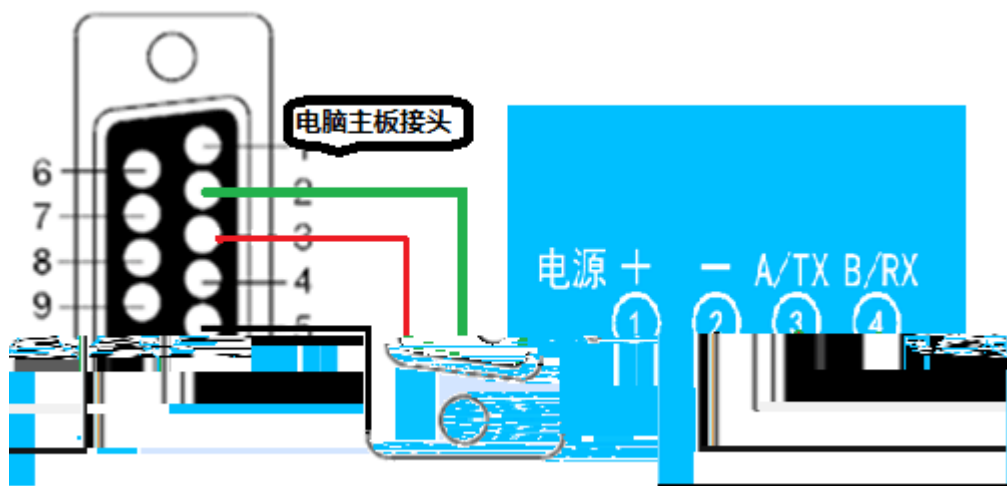


JY-DAM0222 4入2出控制器
JUYING ELECTRONIC

- 供电电压：DC ■ 5V ■ 7-20V ■ 24V
- 输入：2路DI, 2路AI
- 输出：2路继电器/250V10A触点
- 通信协议：MODBUS RTU/ASCII
- 通信端口：■ RS232 ■ RS485

DI1 DI2 AI1 AI2
 (5) (6) (7) (8)
 电源 + - A/TX B/RX
 (1) (2) (3) (4)

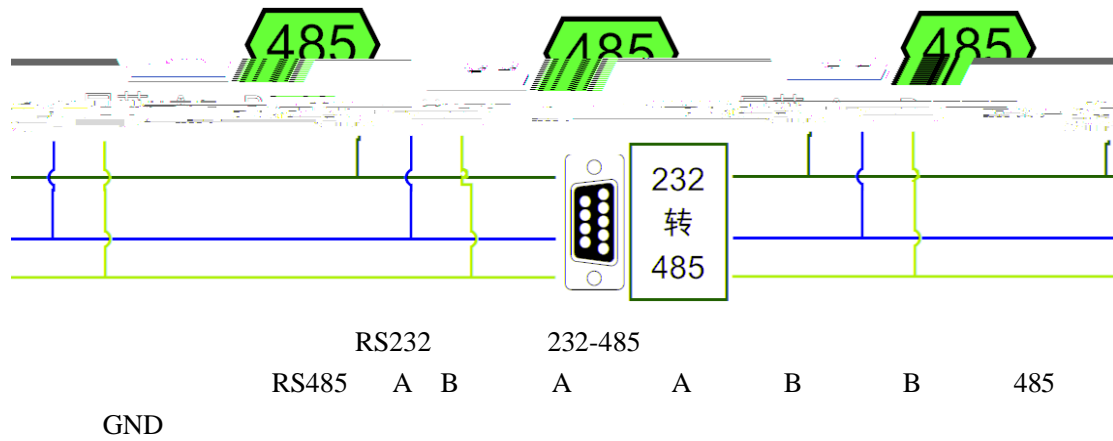
1 RS232



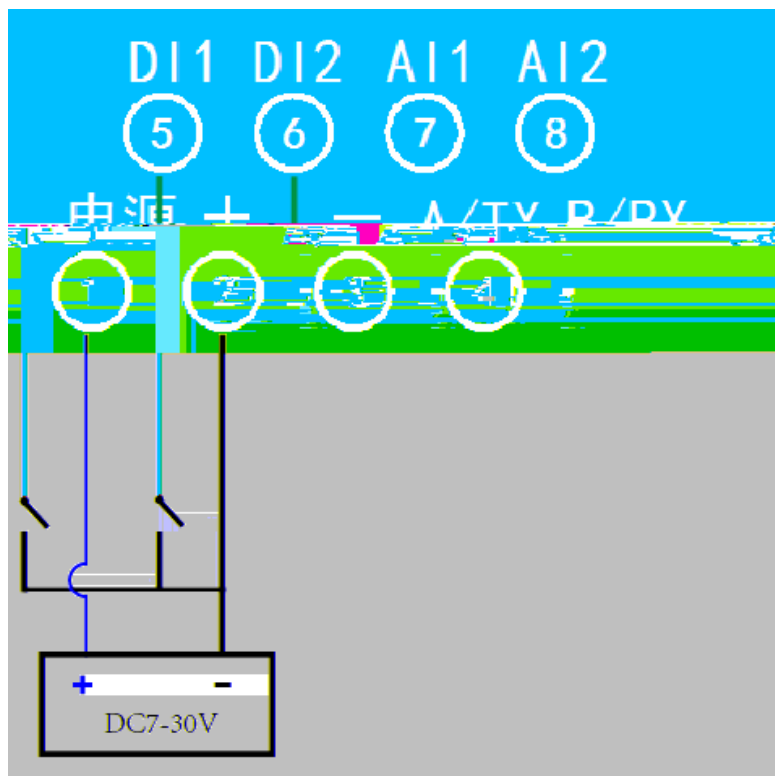
232	2	TX	3	RX	5	GND	5	RX	TX
-----	---	----	---	----	---	-----	---	----	----



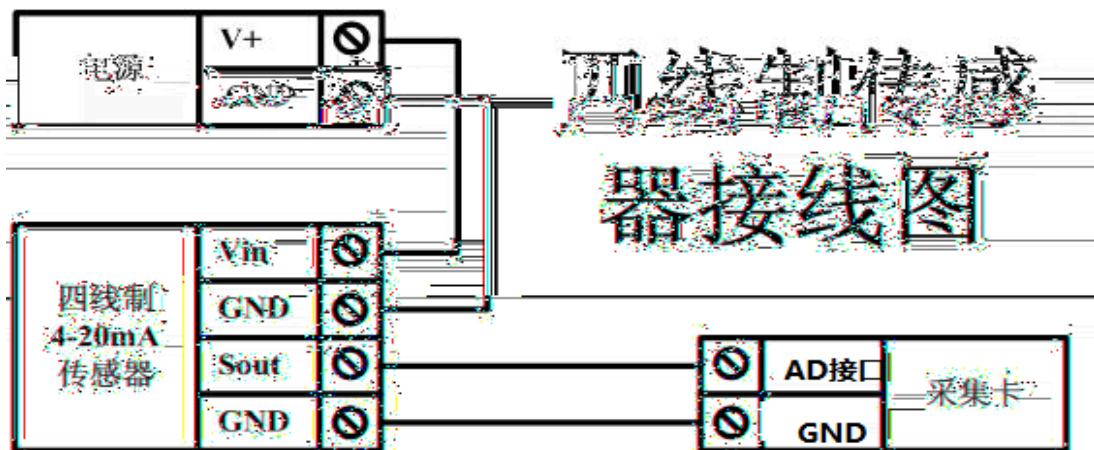
2 RS485



1







1

<http://www.juyingele.com.cn/software/software/> DAM

.rar

2

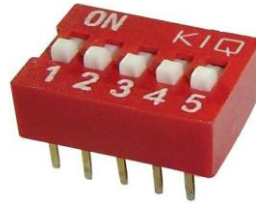


1

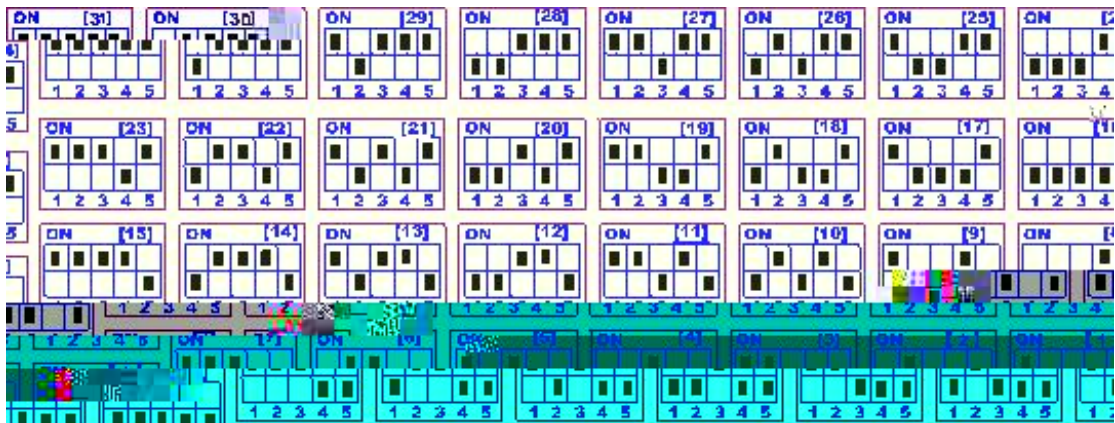
1.1

DAM 1 254

1.2



- 1 " ON" " 31"
- 2 " OFF" " 1"
- 3 1
- 4



1.3

" " " "



2

2.1

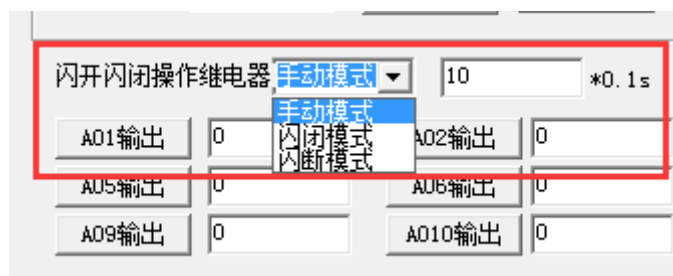
= *0.1 1

1.

2.2

" DAM "

= *0.1



1

modbus
MODBUS

modbus RTU



2 Modbus

1 5 15

1	
5	
15	

1		0x0001	
2	1	0x0002	
1		1x0001	
2	2	1x0002	
1		3x0001	
2	4	3x0002	
		4x1001	0
			0-5
			RS232
		4x1002	
		4x1003	= +
		4x1004	
		4x1005	

Modbus
 00001 09999
 10001 19999
 30001 39999
 40001 49999
 5
 00001 0000

Modbus
 ()
 ()
 ()
 ()
 4 1 0

0	38400
1	2400
2	4800



3	9600
4	19200
5	38400

30002
00001---00002
30002 16bit 16 00001---00002

Bit	15	14	13	12	11	10	9	8	7	6	5	4	3	2	1	0
	8	7	6	5	4	3	2	1	16	15	14	13	12	11	10	9

30009 bit8 00001 30003 bit8 bit9 10001 10002

PLC

3

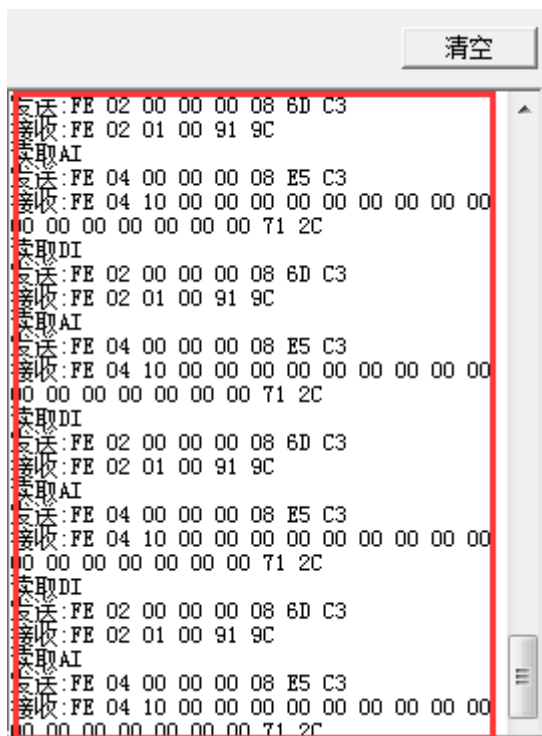
254
254

RS232 1 1

485

" DAM "





modbus

modbus

1

1

00001

4

	RTU 16
	FE 02 00 00 00 04 6D C6
	FE 01 01 00 61 9C
	FE 05 00 00 FF 00 98 35
	FE 05 00 00 FF 00 98 35
	FE 05 00 00 00 00 D9 C5
	FE 05 00 00 00 00 D9 C5
	FE 05 00 01 FF 00 C9 F5
	FE 05 00 01 00 00 88 05



5

5.1

1

FE 05 00 00 FF 00 98 35

FE			
05	05		
00 00			
FF 00			
98 35	CRC16	6	CRC16

FE 05 00 00 FF 00 98 35

FE			
05	05		
00 00			
FF 00			
98 35	CRC16	6	CRC16

5.2

2

FE 01 00 00 00 02 A9 C4

FE			
01	01		
00 00			
00 02			
A9 C4	CRC16	6	CRC16

FE 01 01 00 61 9C

FE			
01	01		0x81
01			1+(n-1)/8
00			Bit0: Bit1:



		Bit7:	
61 9C	CRC16	6	CRC16

5.3

2

FE 02 00 00 00 04 6D C6

FE			
02	02)
00 00			
00 04			
6D C6	CRC16	6	CRC16

FE 02 01 00 91 9C

FE			
02	02		0x82
01			
00		Bit0: Bit1: Bit7:	
91 9C	CRC16	6	CRC16

5.4

2 4~20mA

= *0.001

FE 04 00 00 00 02 65 C4

FE			
04	04		
00 00			
00 04			
65 C4	CRC16	6	CRC16

FE 04 04 00 00 00 00 F4 8B

FE			
04	02		0x82
04			
00			



00		
00		
00		
F4 8B	CRC16	

5.5

FE 10 00 03 00 02 04 00 04 00 0A 00 D8
FE 10 00 03 00 02 04 00 02 00 14 21 62

00 03		
00 02		



1+(n-1)/8



FF	00		FF	00
D1 D3	91 93	CRC16		

FE OF 00 00 00 02 C0 05

FE			
OF	OF		0x82
00 00			
00 10			
C0 05	CRC16		

1 232

232 RX RX TX TX GND GND

2

3 485

254

1

4008128121 010-82899827/1-803

00 4008128121