



(CH₄)

V1.0



2021 5





1

LED
4-20mA/0-10V

RS485

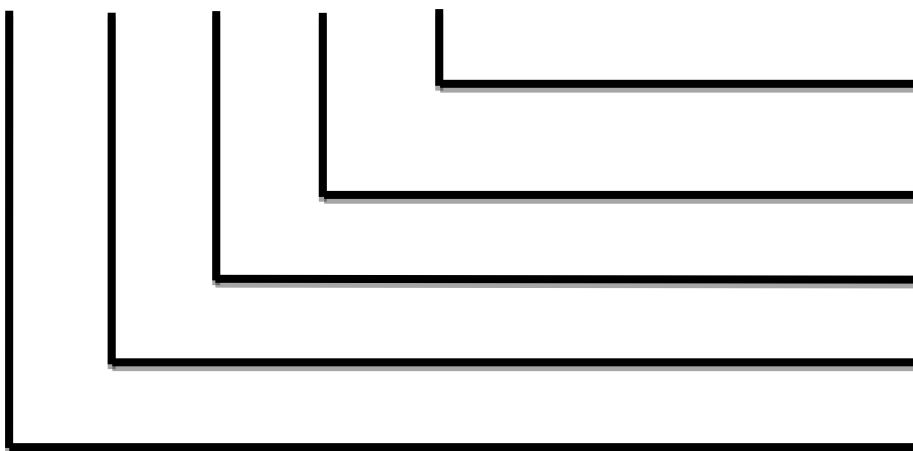
2

- DC7-30V
- RS485
-
- LED

3

- 300~10000ppm()
- RS485
- Modbus RTU
- 4-20mA 0-10V
- 0-255
- 2400,4800,9600,19200,38400,115200(9600)

4

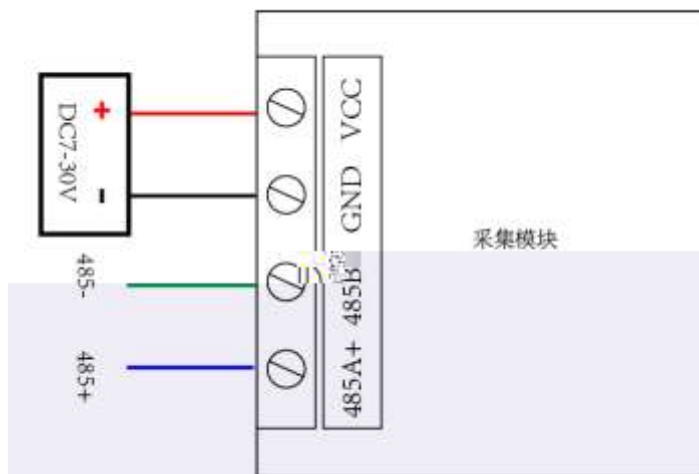




| | |
|--|--|
| | |
| | (CH ₄) |
| | 7-30VDC (12V) |
| | RS485 4-20mA 0-10V |
| | 24V 73mA 1.8W |
| | 300~10000ppm |
| | ± 3%FS |
| | 1ppm |
| | -20~50 15~95% 90~110KPa |
| | 5 |
| | 9600, n, 8, 1 |
| | 2400, 4800, 9600, 19200, 38400, 115200 |
| | 4-20mA 0~10000ppm 0-10V 0~10000ppm |
| | 86mm*110mm*42mm |
| | 170g |

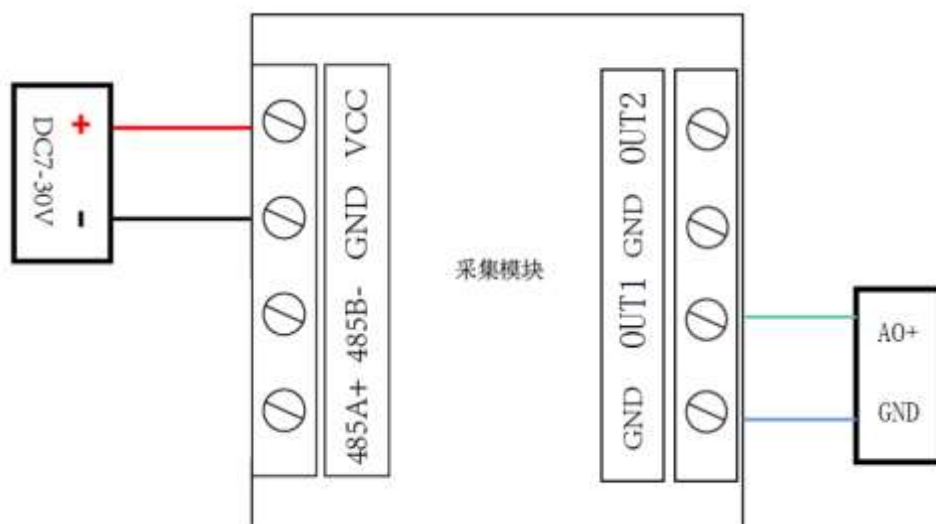


1 RS485



| | | | |
|--|---|-------|-------|
| | | 485A+ | 485B- |
| | / | | |

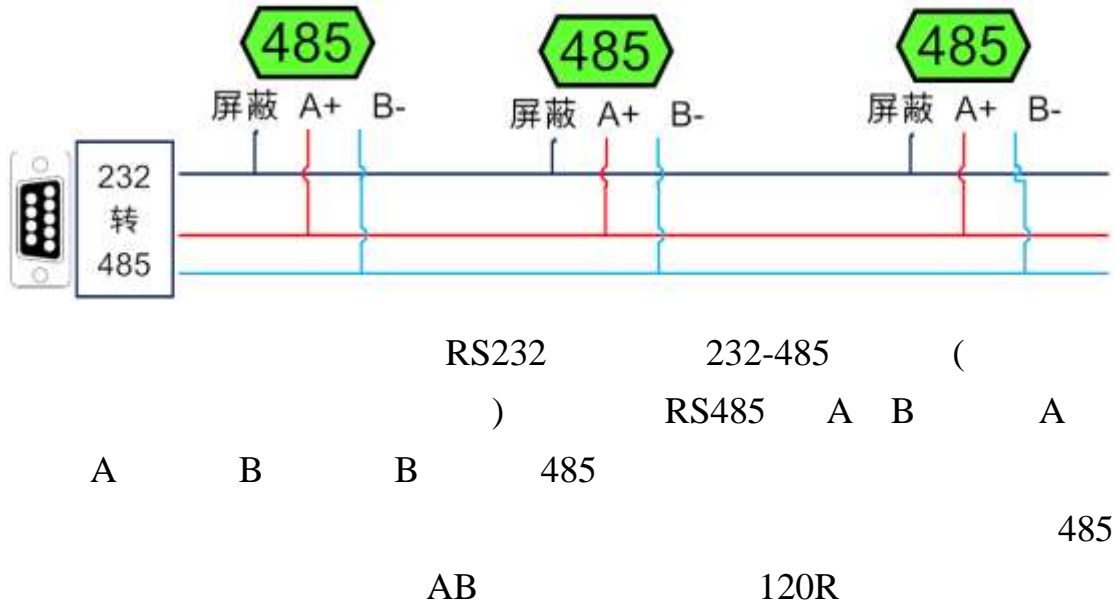
2 4-20mA/0-10V



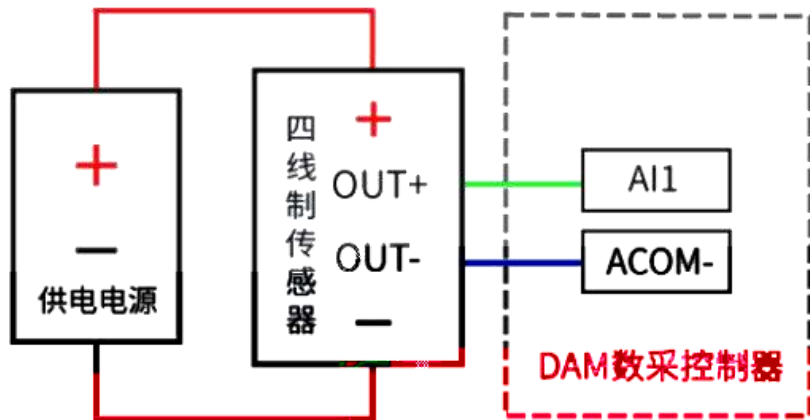
| | | | |
|--|---|--|--|
| | | | |
| | / | | |



1 RS485



2





1

modbus
MODBUS

Modbus

<http://www.juyingele.com.cn/software/software/Modbus%20POLL>

.rar

2 Modbus

| | | | |
|--|----|------|-------------|
| | | | |
| | 04 | 0 | uint16_t |
| | 03 | 300 | 020B 523ppm |
| | 06 | 1000 | 0 |
| | | 1002 | = + |

Modbus

PLC

<https://www.juyingele.com.cn/zl xz/danzi l i ao/1226. html>

(MCGS/ / /WINCC/)

<http://www.juyingele.com.cn/software/software/>.rar

1

1000



| | | |
|-------------|--|--|
| Bit0~Bit7 | | 0 9600 1 2400 2 4800 3 9600 4 19200 5 38400 6 115200 7 57600 8 56000 9 14400 10 1200 |
| Bit8~Bit9 | | 0 1 (Even) 2 (Odd) |
| Bit10~Bit11 | | 0 1 1 2 2 1.5 |

3

| | | |
|--|--------------------------------|-------------|
| | RTU (16) | |
| | <i>FE 04 00 00 00 01 25 C5</i> | 0 |
| | <i>FE 04 02 02 0B ED 83</i> | 020B=523ppm |
| | | |
| | <i>FE 03 01 2C 00 01 50 30</i> | 300 |
| | <i>FE 03 02 02 0B EC F7</i> | 020B=523ppm |

| | | |
|--|--------------------------------|----|
| | RTU (16) | |
| | <i>FE 04 03 E8 00 01 A5 B5</i> | |
| | <i>FE 04 02 00 02 2C E5</i> | 02 |
| | | |
| | <i>FE 06 03 EA 00 02 3D B4</i> | 02 |
| | <i>FE 06 03 EA 00 02 3D B4</i> | 02 |



4

=

FE 04 00 00 00 01 25 C5

| | | |
|-------|-------|--|
| | | |
| FE | | |
| 04 | 04 | |
| 00 00 | | |
| 00 01 | | |
| 25 C5 | CRC16 | |

FE 04 02 02 0B ED 83

| | | |
|-------|-------|------------------|
| | | |
| FE | | |
| 04 | 04 | 0x82 |
| 02 | | $1+(n-1)/8$ |
| 02 0B | AD | =0x020B = 523ppm |
| ED 83 | CRC16 | |

FE 06 03 EA 00 02 3D B4

| | | |
|-------|-------|--|
| | | |
| FE | | |
| 06 | 06 | |
| 03 EA | | |
| 00 02 | | |
| 3D B4 | CRC16 | |

FE 06 03 EA 00 02 3D B4

| | | |
|-------|-------|--|
| | | |
| FE | | |
| 06 | 06 | |
| 03 EA | | |
| 00 02 | | |
| 3D B4 | CRC16 | |



1

<http://www.juyingele.com.cn/software/software/> DAM

.rar

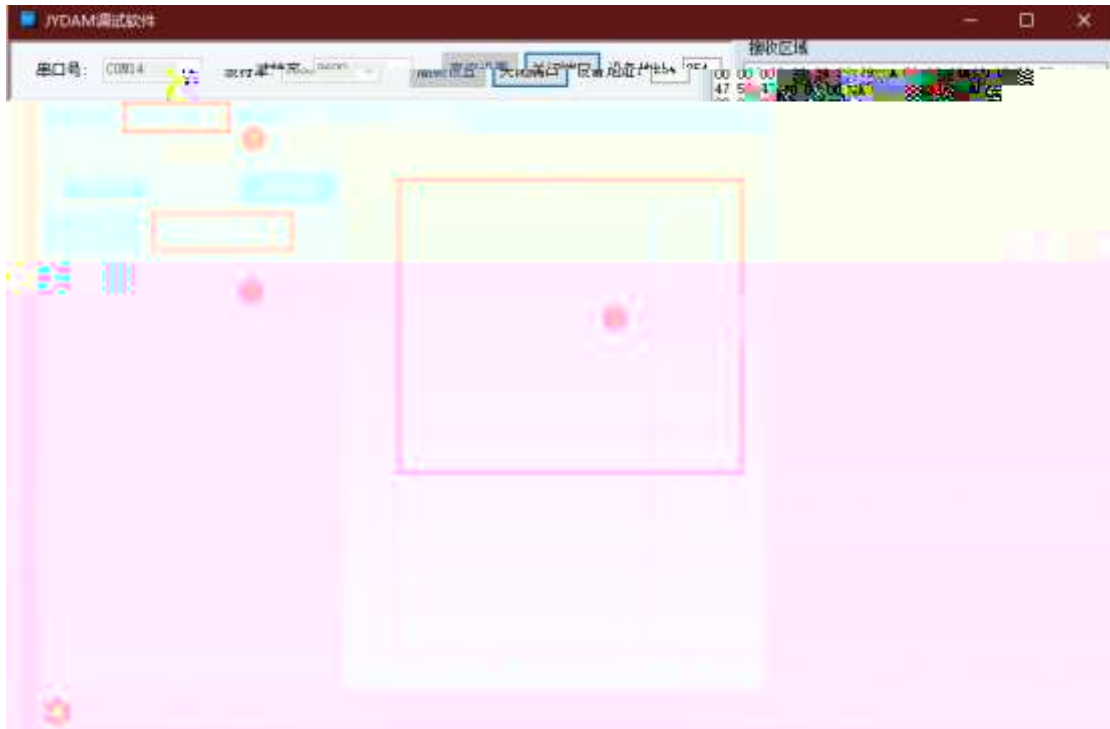
2

JYDAM



9600

3





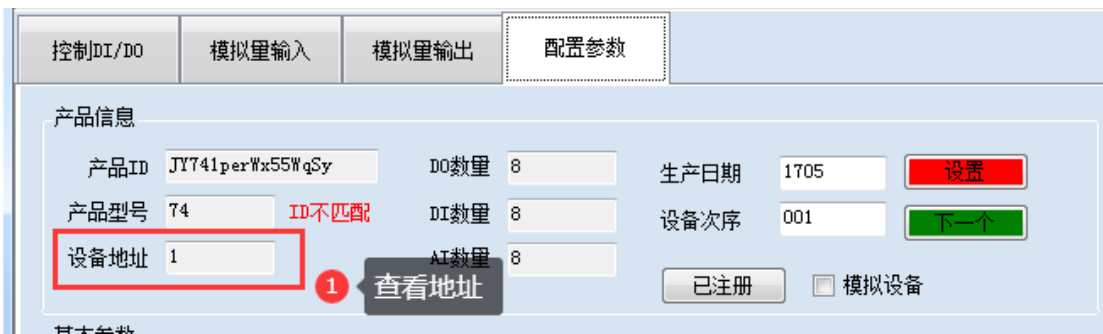
1

1.1

DAM 1 254 0
=

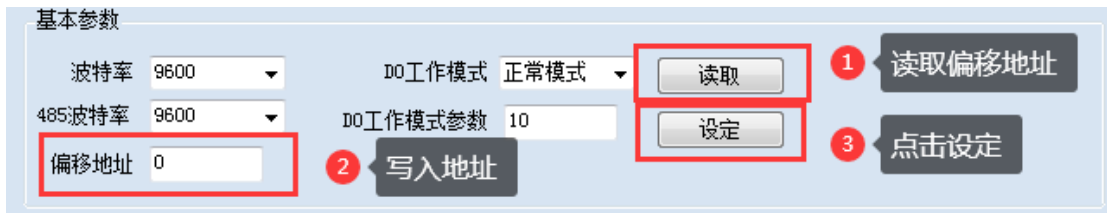
1.2

254 " "



1.3

JYDAM " " " "



2

" " " "







1 485

254

2

4mA 0 20mA

3

4

12V

5

5

400-6688-400 010-82899827/1-803

QQ 3323725294 2986784459



JYDAM

<https://www.juyingel.e.com.cn/software/software/JYDAM%E8%B0%83%E8%AF%95%E8%BD%AF%E4%BB%B6.rar>

<https://www.juyingel.e.com.cn/software/jynet/%E4%BB%A5%E5%A4%AA%E7%BD%91%E9%85%8D%E7%BD%AE%E8%BD%AF%E4%BB%B6.rar>

()



JYDAM

