



(C₃H₈)

V1.0



聚英电子
JUYING ELECTRONIC



2021 5





1

LED
4-20mA/0-10V

RS485

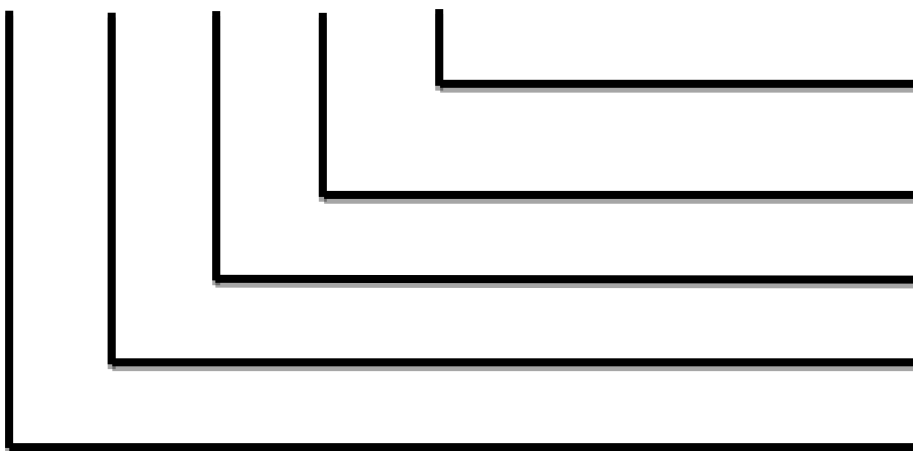
2

- DC7-30V
- RS485
-
- LED

3

- 300~10000ppm()
- RS485
- Modbus RTU
- 4-20mA 0-10V
- 0-255
- 2400,4800,9600,19200,38400,115200(9600)

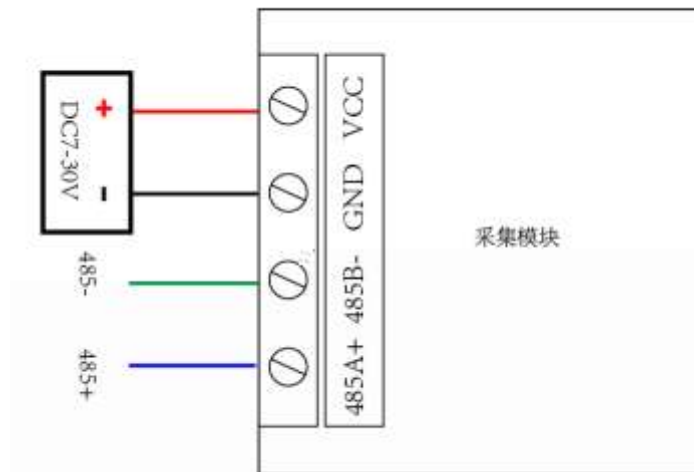
4





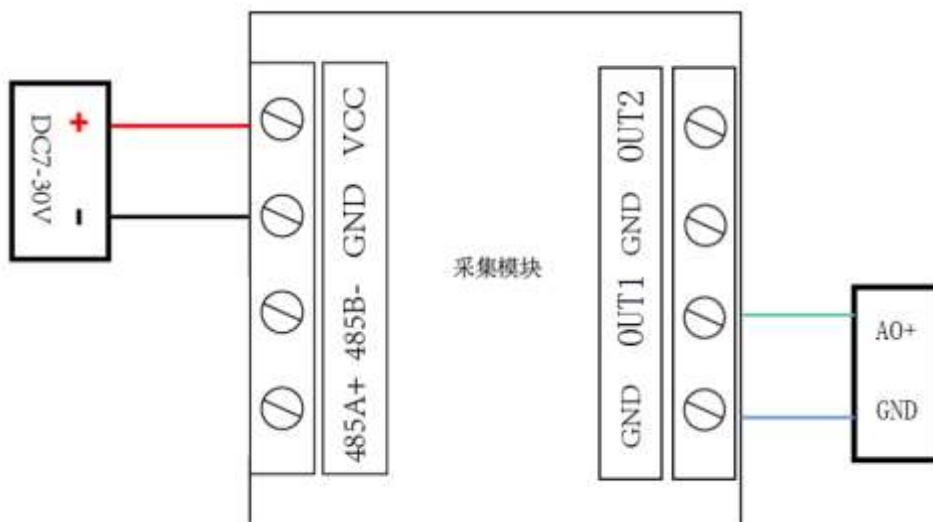


1 RS485



		485A+	485B-
	/		

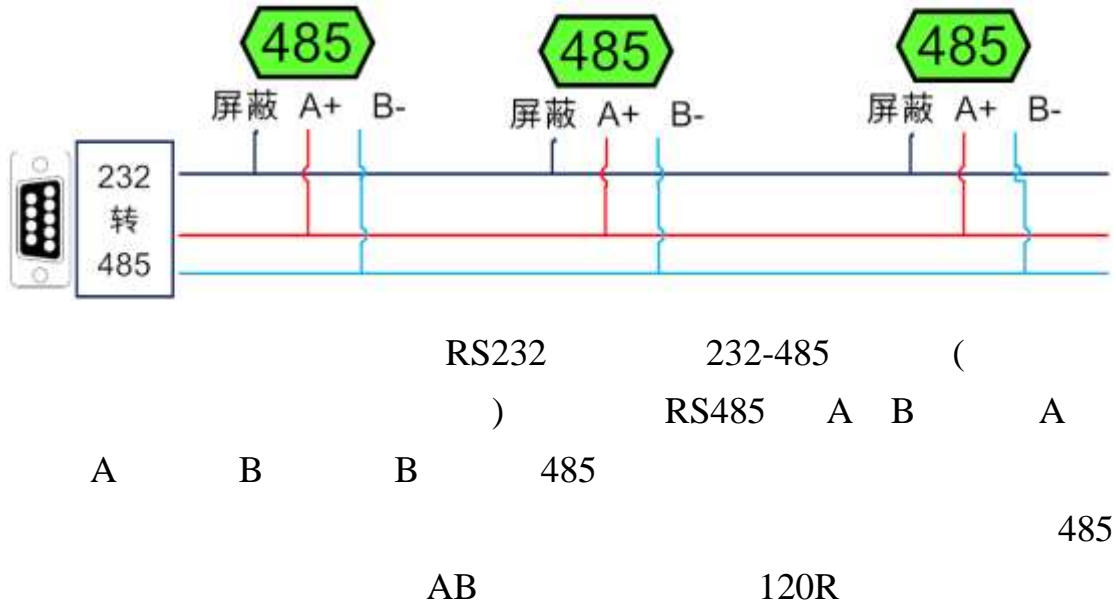
2 4-20mA/0-10V



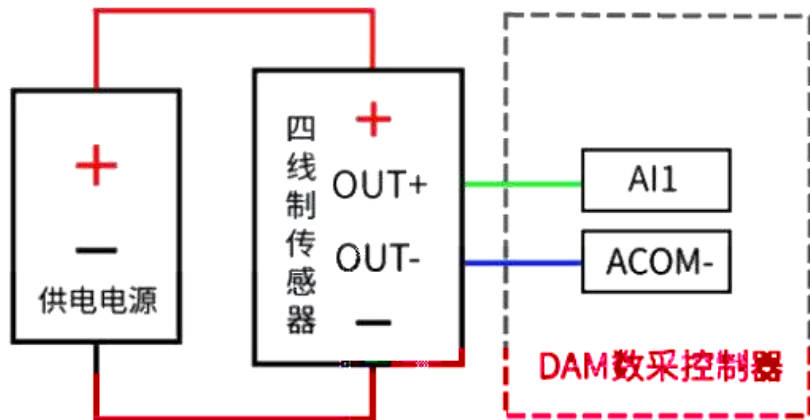
	/		



1 RS485



2





1

modbus
MODBUS

Modbus

<http://www.juyingele.com.cn/software/software/Modbus%20POLL>

.rar

2 Modbus

	04	0	uint16_t
	03	300	020B 523ppm
	06	1000	0
		1002	= +

Modbus

PLC

<https://www.juyingele.com.cn/zl xz/danzi l i ao/1226. html>

(MCGS/ / /WINCC/)

<http://www.juyingele.com.cn/software/software/>.rar

1

1000





4

=

FE 04 00 00 00 01 25 C5

FE		
04	04	
00 00		
00 01		
25 C5	CRC16	

FE 04 02 02 0B ED 83

FE		
04	04	0x82
02		$1+(n-1)/8$
02 0B	AD	=0x020B = 523ppm
ED 83	CRC16	

FE 06 03 EA 00 02 3D B4

FE		
06	06	
03 EA		
00 02		
3D B4	CRC16	

FE 06 03 EA 00 02 3D B4

FE		
06	06	
03 EA		
00 02		
3D B4	CRC16	



1

<http://www.juyingele.com.cn/software/software/> DAM

.rar

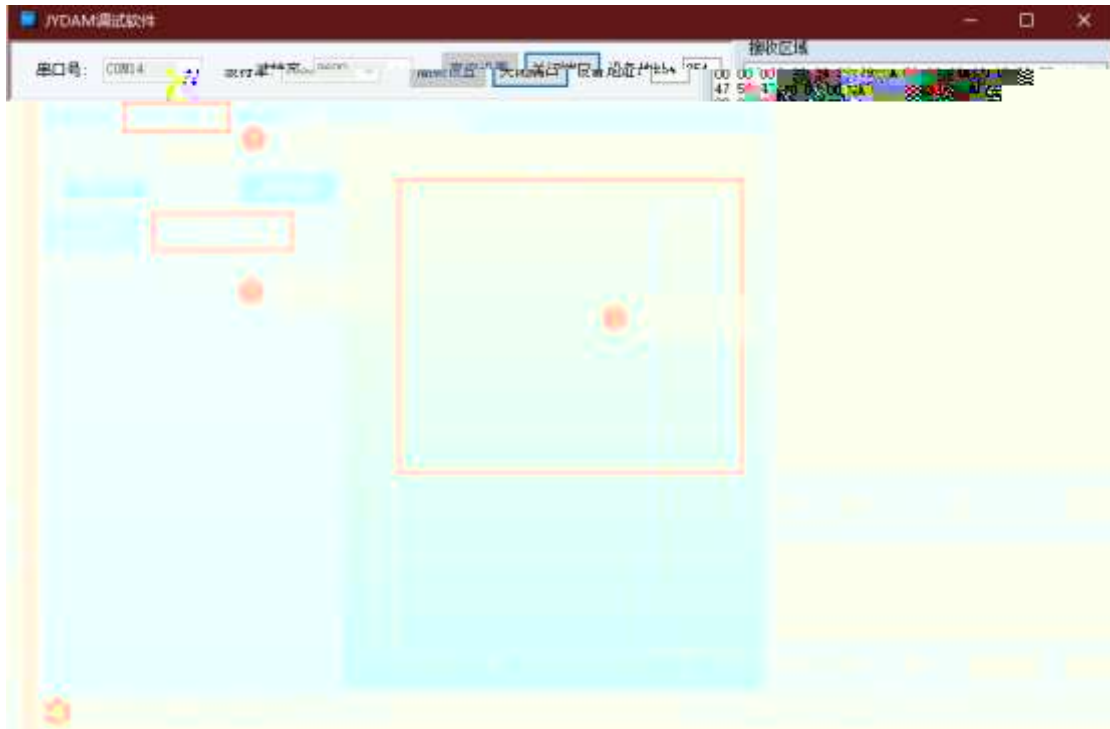
2

JYDAM



9600

3







1 485

254

2

4mA 0 20mA

3

4

12V

5

5

400-6688-400 010-82899827/1-803

QQ 3323725294 2986784459



JYDAM

<https://www.juyingele.com.cn/software/software/JYDAM%E8%B0%83%E8%AF%95%E8%BD%AF%E4%BB%B6.rar>

<https://www.juyingele.com.cn/software/jynet/%E4%BB%A5%E5%A4%AA%E7%BD%91%E9%85%8D%E7%BD%AE%E8%BD%AF%E4%BB%B6.rar>

()



JYDAM

